

## TMR Rate 3 Road Lighting Jointing Kits

The re-openable low voltage cable joint is fully approved by QLD Transport and Main Roads for use on their network in Rate 3 Lighting applications as listed on SD1699 meeting requirements of SD1624 and SD1625.

Offering 2 x Clear Dome sizes with Gel Technology covering ACTIVE and NEUTRAL Connections.

DESCRIPTION	LARGE DOME		SMALL DOME
	THREE Phase SD1625	SINGLE Phase SD1624	SINGLE Phase SD1624
Fused Joint	i3S-3PA	i3S-1PA	i3S-SPA
Fused Joint with Tee-Off	i3S-3PB	i3S-1PB	i3S-SPB
Tee off (no Fuse)	i3S-3PC	i3S-1PC	i3S-SPC
Fused Joint with Bridge Tee-Off	i3S-3PD	i3S-1PD	i3S-SPD
Fused Joint Sub-circuit Remote connection	i3S-3PE	i3S-1PE	i3S-SPF
Fused Joint sub-circuit Local Road light Pole Conn.	i3S-3PF	i3S-1PF	-----
Fused Joint Bridge Structure	i3S-3PG	i3S-1PG	i3S-SPG

100% designed and manufactured in Queensland the new enclosure has the following advanced features:

**Clear Polished Dome** Promotes a safer application with all internal components and electrical connections clearly visible without having to open the enclosure

**Non-metallic design** No metal components to promote an electrically safe environment

**NATA Tested** Fully tested in Australia by a NATA Laboratory successfully passing

- IP68 Dust Probe and Immersion
- Impact Resistance
- Cable Torsion and Flexure
- Mechanical Operation and re-entry
- Head of Water
- 850° Celsius Fire Hazard



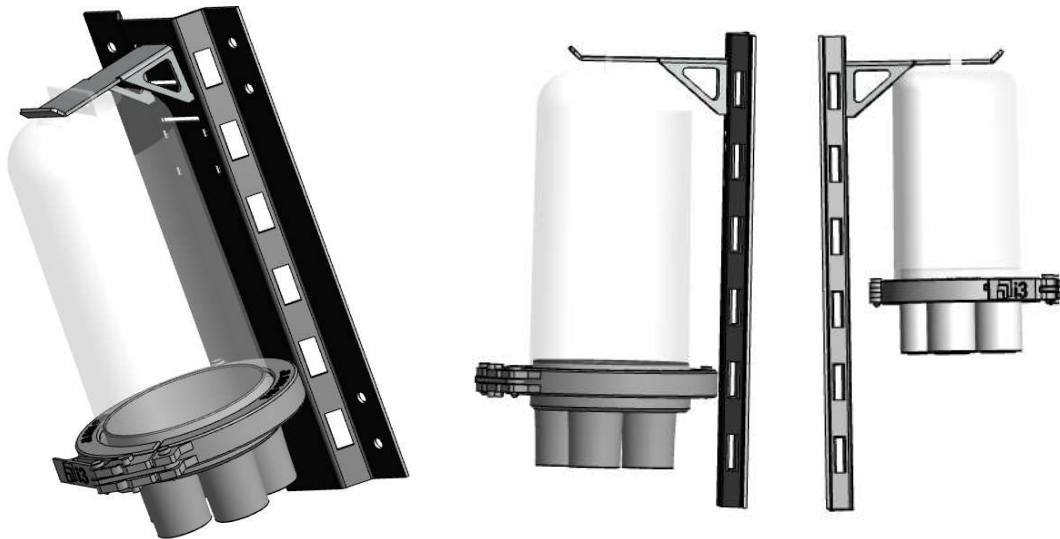
**Versatile Cable Ports** Large cable ports to accommodate low voltage cable sizes up to 35mm<sup>2</sup> conductors

**Kitting done in Qld** Fast response and short leads times with ability to amend components and provide kits for special applications

Contact us for all your TMR Rate 3 Lighting requirements

[TMR@mmem.com.au](mailto:TMR@mmem.com.au)

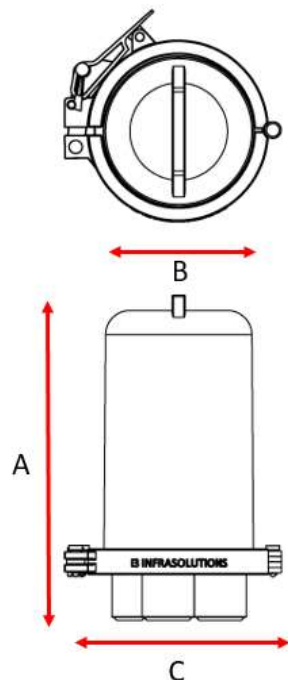
**Pit Mounting Bracket** – Suitable for use in circular and rectangular pits



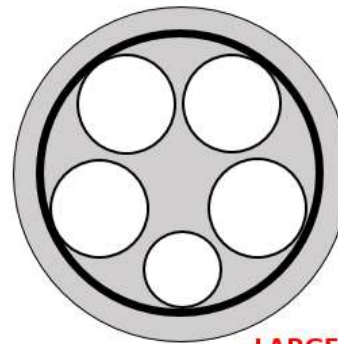
**Suitable for LARGE and SMALL Enclosures**

**Dimensions**

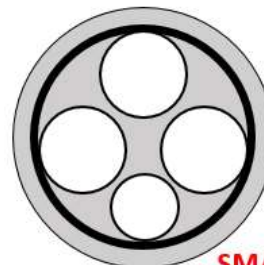
	LARGE Dome	SMALL Dome
A	370mm	250mm
B	140mm	110mm
C	220mm	165mm



**Cable Ports**



**LARGE Dome Unit**



**SMALL Dome Unit**

Contact us for all your TMR Rate 3 Lighting requirements

[TMR@mmem.com.au](mailto:TMR@mmem.com.au)