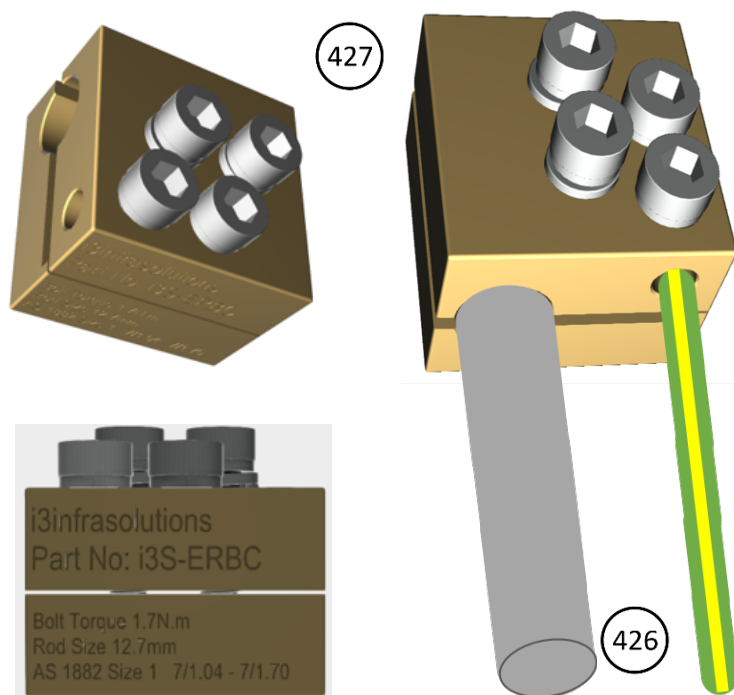


TMR Approved Stainless Steel Earth Rod and Brass Clamp Kit

TMR Approved Earthing Components and Kits comprising of Stainless-Steel Earth Rod and Solid Brass Earth Clamp providing a high **corrosion-resistant connection** between Earth Rod and Copper conductors.

Part Number	Description Components
i3S-SEO1	12.7 x 1500mm Stainless Steel Earth Rod TMR Item No 426
i3S-SEO2	12.7 x 1800mm Stainless Steel Earth Rod TMR Item No 426
i3S-ERBC	Earth Block (Heavy Duty) TMR Item No 427
Part Number	Description Kits
i3S-SS1500EC	12.7 x 1500mm S/S Earth Rod and Earth Clamp (Heavy Duty)
i3S-SS1800EC	12.7 x 1800mm S/S Earth Rod and Earth Clamp (Heavy Duty)



- Earth Clamp Tested and complies to **AS1882-2002**
- Earth Conductor Size **6mm² - 16mm²**
- **1500mm and 1800mm** length Earth Rods

Contact us for product information and assistance

sales@i3infrasonolutions.com.au

www.i3infrasonolutions.com.au